

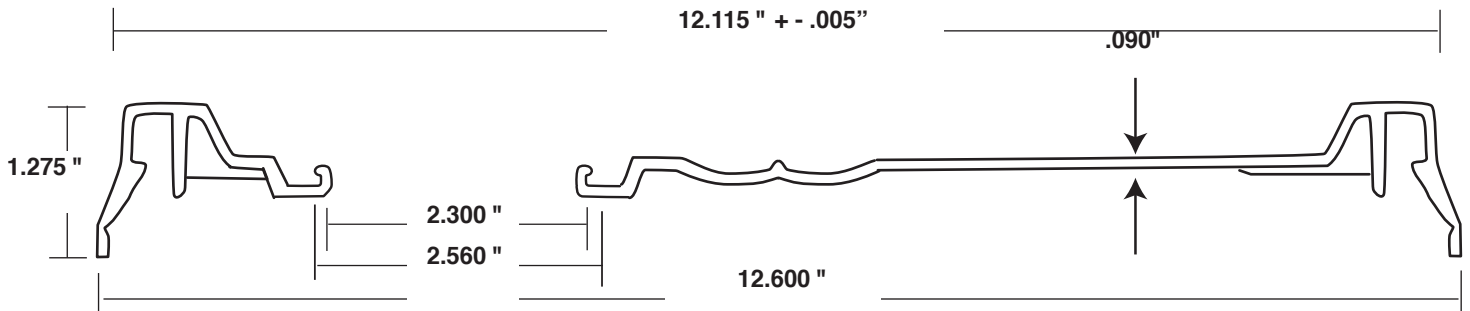
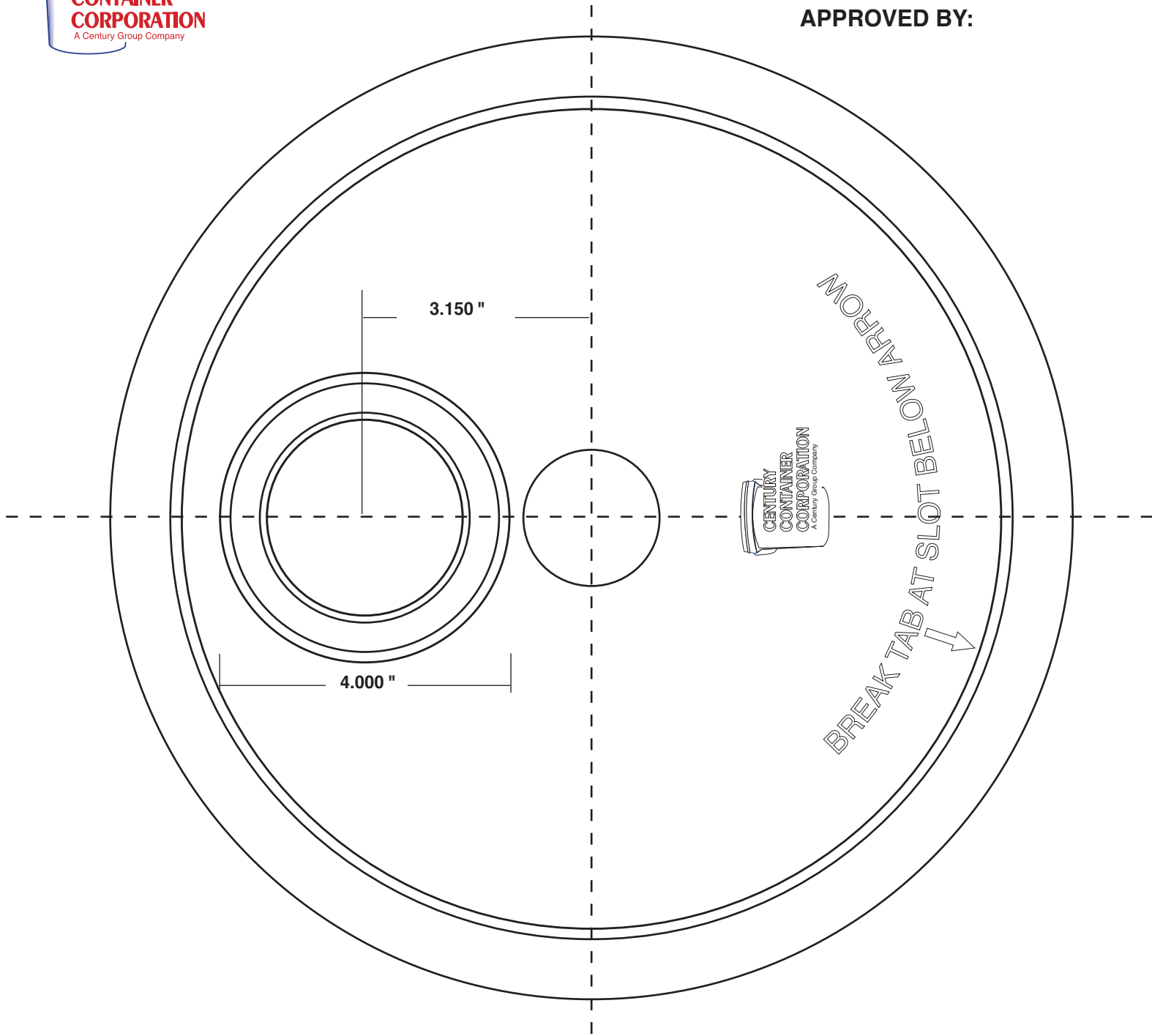


Long Skirt EZ Tear Lid w/ Gasket, Rieke

PART NO.: 205876

DATE: March 2011

APPROVED BY:





Engineering Specification

CAVITY 76 PART NUMBER: 205876

Long Skirt EZ Tear Lid with Gasket, Rieke

SPECIFICATIONS

Top Outer Diameter: 12.115" +/- .005"
 Top Out of Round: 1/8" max
 Height: 1.275"
 Wall Thickness: .090"
 Weight: 290 grams

COMPONENTS

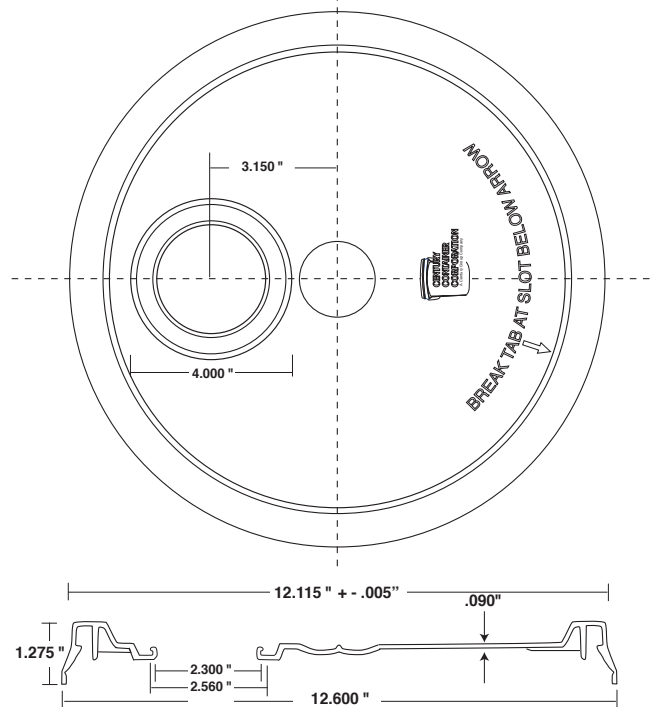
Resin: Prime High Density Polyethylene (HDPE)
 Color: Per customer spec
 Gasket: PVC or EPDM

STANDARD PACKAGING

168 per pack (12 stacks of 14 each).
 Trays on top and bottom with stretch wrap.
 Applied label shows Part Number and Color, Date, Packaging Quantity, Shift.
 Package Dimensions: 37 1/2" x 50" x 12"
 Weight: 115 lbs. Bulk Density: 5.04 lbs./ cubic ft.

CORRESPONDING PAILS

Part #	Description
203105	3.5 Gallon Pail
203106	3.9 Gallon Pail
205112	Short 5 Gallon Pail
205120	5 Gallon 70 mil Pail
205122	5 Gallon Standard Pail
205140	5 Gallon Pail
206146	6 Gallon Pail
205148	20 Liter Pail



PRINT SPECIFICATIONS

N/A

OPTIONS

FDA 21 CFR 177.1520(c)3.2(a)
 European Union 2002/72 EC

LID OPTIONS

Rieke Spout
 Rieke Jr.
 Tint Plug